

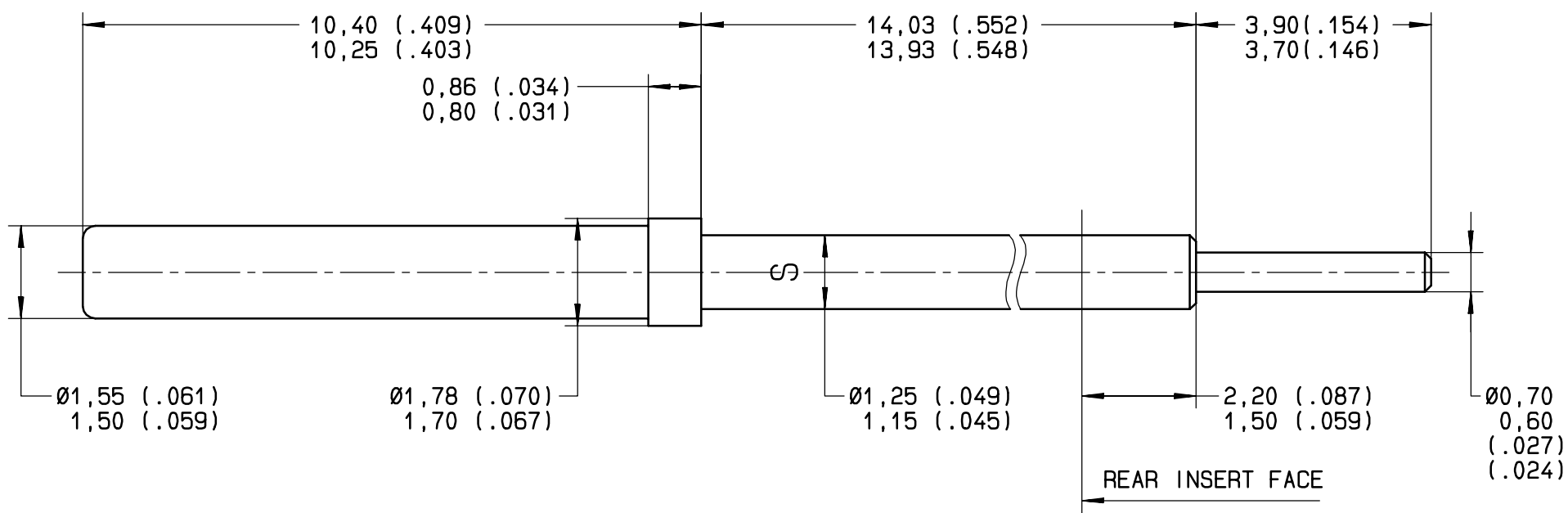


Series  
MPX

SIZE 22 REAR RELEASE, REAR REMOVABLE  
PC POST SOCKET CONTACT

Issue:  
21/04/99

Page  
1 / 1



**MATERIAL:**

BODY: BERYLLIUM COPPER PER ASTM-B-196  
PROTECTIVE SLEEVE: STAINLESS STEEL PER AISI 305

**FINISH:**

BODY: .00005 INCH OF GOLD PER MIL-G-45204 TYPE I OR II, GRADE C OR D, CLASS 1 OVER NICKEL PER QQ-N-290  
PROTECTIVE SLEEVE: PASSIVATED PER QQ-P-35

INSERTION/EXTRACTION TOOL: M81969/1-01 (RADIALL 282885)

This information is given as an indication. In the continual goal to improve our products, we reserve the right to make any modifications judged necessary.

4112-9610

CREATION	Issue	Revisions	Name	Approved
PEN: .	21/04/99	REDRAWN BY CAD	MACARI	
NOM: MACARI				
DATE: 13/04/89				
APPR.: .				

**RADIALL**<sup>®</sup>

101, rue Philibert Hoffmann Z.I. Ouest  
93116 ROSNY/BOIS Cedex (France)  
Tl.: 01 49 35 35 35  
Fax.: 01 48 54 63 63  
Tlax: RADIA 235220